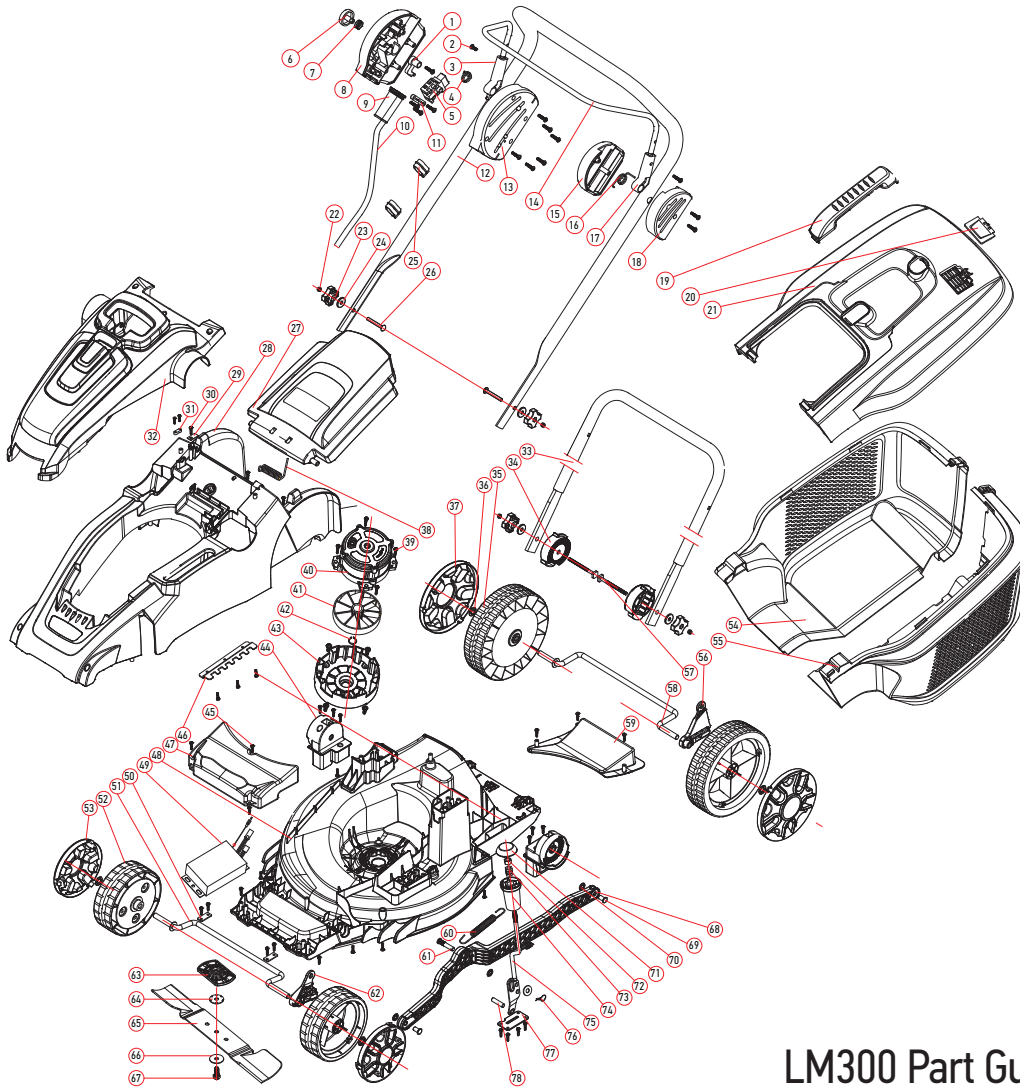


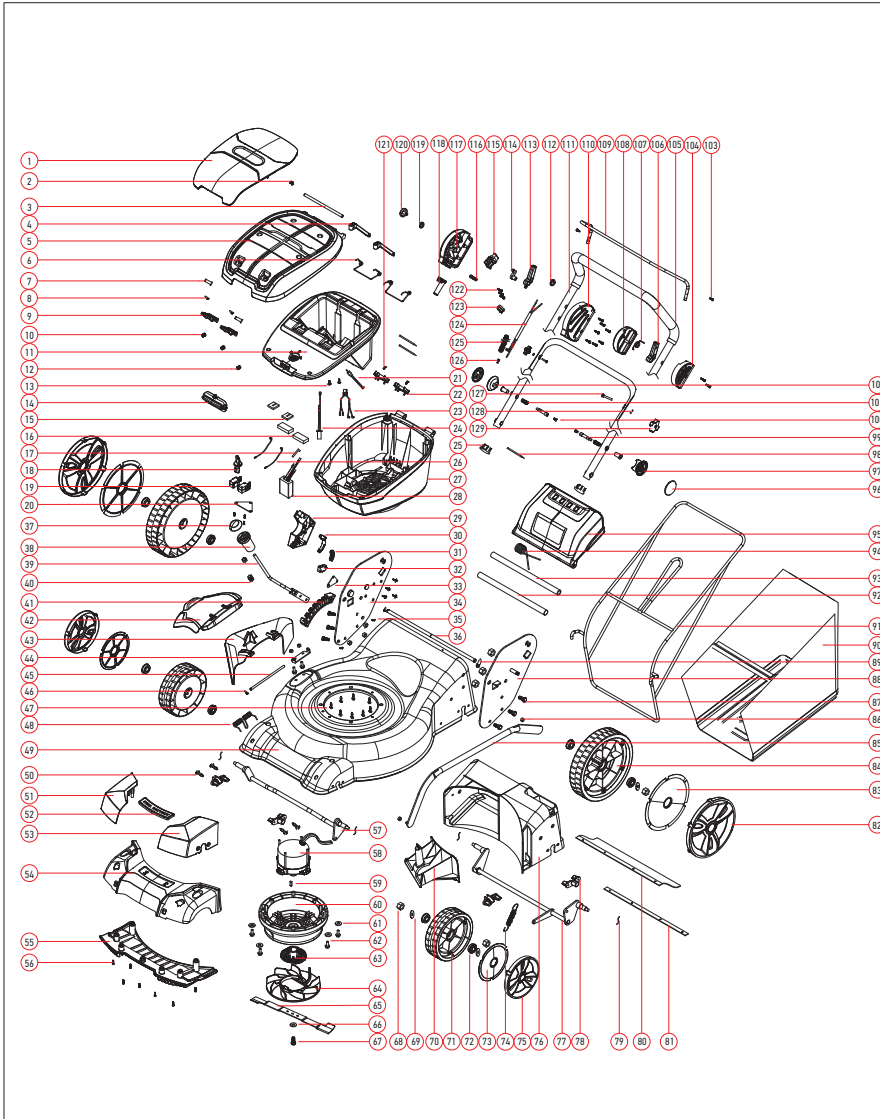
NO.	Name	Kit Part Number	Quantity
1	Socket head screw	Hardware kit 595910	7
2	Gearcase cover		1
3	Upper wear-resisting washer		1
4	Paper washer		1
5	Cornet plate		2
6	Wear-resisting washer A		2
7	Cam		1
8	Wool felt		1
9	Elastic collar Ø12		1
10	Elastic collar Ø28		1
11	Bearing		2
12	Passivity gear		1
13	Down wear-resisting washer		1
14	Cam control roller		1
15	Hexagon bolt	See item 1 in kit 595910	6
16	Handle	See item 1 in kit 595910	1
17	Handle lining	See item 1 in kit 595910	2
18	Socket head screw	See item 1 in kit 595910	2
19	Shaft		1
20	Big gear case		1
21	Case cover	Decoration cover kit 595907	1
22	Nut	Blade kit 595908	6
23	Washer		2
24	Connect washer		1
25	Safety flap		1
26	Sustain blade		1
27	Upper blade	See item 22 in kit 595908	1
28	Down blade	See item 22 in kit 595908	1
29	Lining	See item 22 in kit 595908	4
30	Blade guard	See item 22 in kit 595908	1
31	Wear-resisting washer B		2
32	Bearing		2
33	Link gear		1
34	Seal round		1
35	Arthrosis plate		1
36	Locking pin	Adjustment pin kit 595911	1
37	Spring	See item 36 in kit 595911	1
38	Locking ring	See item 36 in kit 595911	1
39	Shoulder screw		1
40	Small gear case		1
41	Washer		1
42	Washer		1
43	Pin		1
44	Socket head nut		1
45	Protect cover		1
46	Socket head screw	See item 1 in kit 595910	1
47	Socket head screw	See item 1 in kit 595910	1
48	Driving gear		1
49	Bearing		2
50	Elastic collar Ø9		1
51	Elastic collar Ø24		1
52	Ring	Shaft kit 595909	2
53	Star shape nylon tube	See item 52 in kit 595909	1
54	Soft shaft	See item 52 in kit 595909	1
55	Straight tube	See item 52 in kit 595909	1
56	Spring slice	See item 52 in kit 595909	1
57	Bush	See item 52 in kit 595909	1
58	Soft shaft connector	See item 52 in kit 595909	1
59	Hexagon socket set screws	See item 52 in kit 595909	1
60	Tube cap		1
61	Scabbard	Bar cover 595906	1

HT600 Part Guide



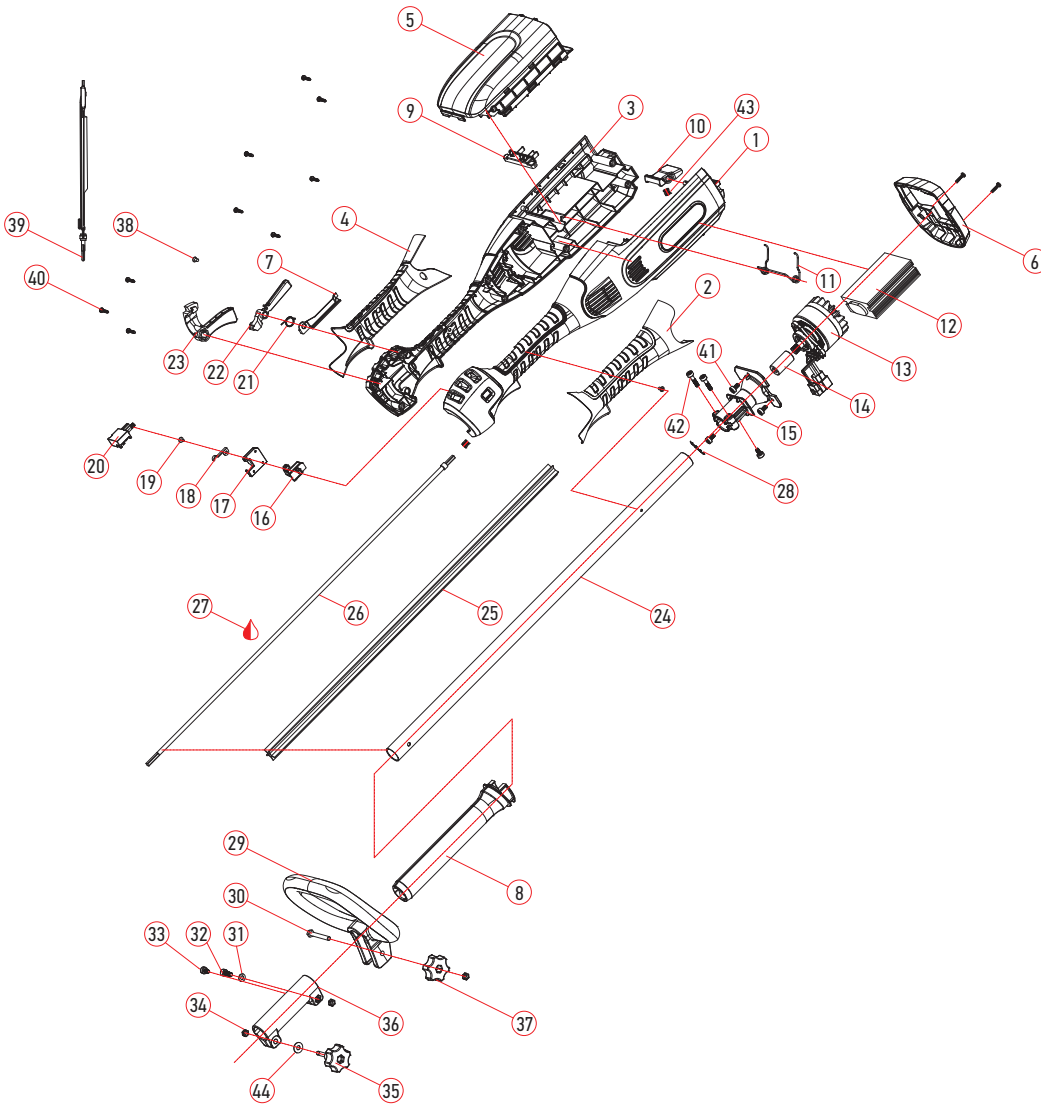
NO.	Name	Kit Part Number	Quantity
1	Trigger		1
2	Bolt		2
3	Right brace		1
4	Spring		1
5	Switch		1
6	Button	Switch box kit 595726 (EU 582048)	1
7	Spring	See item 6 in kit 595726 (EU 582048)	1
8	Left switch box	See item 6 in kit 595726 (EU 582048)	1
9	Cable jacket	See item 6 in kit 595726 (EU 582048)	1
10	Cable mould	See item 6 in kit 595726 (EU 582048)	1
11	Double line block	See item 6 in kit 595726 (EU 582048)	1
12	Upper handle	See item 23 in kit 595727	1
13	Right switch box	See item 6 in kit 595726 (EU 582048)	1
14	Trigger level		1
15	Right fulcrum		1
16	Spring		1
17	Left brace		1
18	Left fulcrum		1
19	Grassbox handle	Grassbox kit 582042	1
20	Grass full instructions board	See item 19 in kit 582042	1
21	Grassbox cover	See item 19 in kit 582042	1
22	Nut		4
23	Knob	Handle bar kit 595727	4
24	Dish	See item 23 in kit 595727	4
25	Hook	See item 23 in kit 595727	2
26	Bolt	See item 23 in kit 595727	2
27	Safety flap	Safety flap kit 582073	1
28	Middle frame		1
29	Press block		1
30	Bolt		35
31	Cable fix plate		1
32	Cover arm	Compartment cover kit 582075	1
33	Lower handle	See item 23 in kit 595727	1
34	Rotate block		2
35	Wheel	Rear wheel kit 582044	2
36	Hub cap	See item 52 in kit 582043	4
37	Wheel cover	See item 35 in kit 582044	2
38	Spring		1
39	Bolt	Motor kit 582046	8
40	Motor	See item 39 in kit 582046	1
41	Fan	See item 39 in kit 582046	1
42	Gear plate	See item 39 in kit 582046	1
43	Motor plank	See item 39 in kit 582046	1
44	Right rotate seat		1
45	Bolt		4
46	Gear plate		1
47	Weight block		1
48	Deck		1
49	Director	Controller kit 582047	1
50	Washer		2
51	Front axle	Front wheel axle kit 599816	1
52	Front wheel	Front wheel kit 582043	2
53	Front wheel cover	See item 52 in kit 582043	2
54	Right grassbox	See item 19 in kit 582042	1
55	Left grassbox	See item 19 in kit 582042	1
56	Triangle	See item 58 in kit 599815	1
57	Lower handle bolt		2
58	Rear axle	Rear wheel axle kit 599815	1
59	Plate		1
60	Spring		1
61	Connecting rod insert		1
62	Triangle	See item 51 in kit 599816	1
63	Blade support	Blade kit 582045	1
64	Washer	See item 63 in kit 582045	1
65	Blade	See item 63 in kit 582045	1
66	Washer	See item 63 in kit 582045	1
67	Bolt	See item 63 in kit 582045	1
68	Connecting rod	Connecting rod kit 599817	1
69	Pin	See item 68 in kit 599817	2
70	Hub cap	See item 68 in kit 599817	3
71	Raise handle cover		1
72	Nut		1
73	Handle insert		1
74	Raise handle		1
75	Rear axle		1
76	Spring		1
77	Plate		1
78	Axle		1
	Rubber flap (not shown)	Rubber flap kit 595728	

LM300 Part Guide



NO.	Name	Kit Part Number	Quantity	NO.	Name	Kit Part Number	Quantity
1	Battery cover empicement		1	45	The blade	Blade kit 596864	1
2	Plug rotation axis		1	46	O10 gasket	See item 45 kit 596864	1
3	Battery cover rotation axis		1	47	M10 Screw	See item 45 kit 596864	1
4	Battery cover handle		2	48	Hexagonal screw	Front wheel kit 596863	6
5	Battery cover		1	49	O8 gasket	See item 88 kit 596863	10
6	Battery spring		2	50	Plug stuffy grass	See item 48 kit 596863	2
7	Axis		2	51	Road wheel 170	See item 48 kit 596863	2
8	O8 axis retaining ring		2	52	Axis	See item 48 kit 596863	8
9	Battery snap joint	Safety key kit 596870	2	53	Front road wheel protection board	See item 48 kit 596863	2
10	Pressure spring		2	54	Raise spring	See item 88 kit 596863	1
11	Battery bin		1	55	Front road wheel cover	See item 48 kit 596863	2
12	Spring buckle battery cover		1	56	Deck protection board		1
13	Screw		1	57	Back side		1
14	Battery cover snap joint		1	58	Wheel axis fixed block		4
15	Battery sponge		2	59	Corrugated gasket	Rubber flap kit 596865	6
16	Battery holder sponge		2	60	Rubber skin	See item 79 kit 596865	1
17	Double-side tapes in battery compartment		4	61	Rubber skin board	See item 79 kit 596865	1
18	Key		2	62	Back road wheel cover	See item 82 kit 596864	2
19	Master switch		2	63	Back road wheel protection board	See item 82 kit 596864	2
20	Master switch pressing plate		1	64	Road wheel 240	See item 82 kit 596864	2
21	Controller ID line		1	65	Connecting rod		1
22	Wire connector		2	66	M6 nut		6
23	Director CU connector asse		1	67	M8 nut		6
24	Director CU switch line		1	68	Left support plate		1
25	Head cover		2	69	O10 axis retaining ring		2
26	Battery switch line asse		2	70	Grassbox	Grass bag kit 596862	1
27	Battery holder		1	71	Grassbox lever	See item 90 kit 596862	1
28	Director CU	Controller kit 596869	1	72	The whole machine handle		1
29	Protection switch holder		1	73	EVA handle branch pipe		1
30	Protection switch axis		1	74	Protection board spring		1
31	Protection switch spring		1	75	Protection board		1
32	Protection switch		1	76	Pull pin cover	Lock pin kit 596861	2
33	Protection switch pressing plate		1	77	Left pull pin cap	See item 96 kit 596861	1
34	The right support plate		1	78	Black tie	See item 96 kit 596861	3
35	Stainless steel self-tapping screws		2	79	Pull pin	See item 96 kit 596861	2
36	Protection board rotation axis		1	80	Pull pin gasket	See item 96 kit 596861	2
37	Raise the handle cover		1	81	Pull pin Spring		2
38	Raise the handle		1	82	Right pull pin cap		1
39	Adjust level module		1	83	Abutment screw		2
40	Handle insert		1	84	Handle Right support		1
41	Gears board		1	85	EVA handle branch pipe		1
42	Lateral protection board	Side discharge kit 596871	1	86	Handle left support		1
43	Lateral tongue	See item 42 kit 596871	1	87	Fulcrum spring		1
44	Lateral lever	See item 42 kit 596871	1	88	Right fulcrum cover		1
45	Lateral rotation axis	See item 42 kit 596871	1	89	Switch level		1
46	O4 axis retaining ring	See item 42 kit 596871	2	90	Switch box left cover	Switch box kit 596860	1
47	Cross recessed pan head tapping screws	Side discharge cover kit 596868	8	91	Handle assembly	Handle bars kit 596857	1
48	Lateral Spring		1	92	Switch spring	See item 110 kit 596860	1
49	Deck		1	93	Handle right support	See item 110 kit 596860	1
50	Non-standard screw		13	94	Switch	See item 110 kit 596860	1
51	Right decorative covers		1	95	Switch	See item 110 kit 596860	1
52	Front decorative covers		1	96	Double line pressing board	See item 110 kit 596860	1
53	Left decorative covers		1	97	Switch box right cover	See item 110 kit 596860	1
54	Front decorative covers		1	98	Power cable sheath		1
55	Comb grass board		1	99	Button spring		1
56	Bolt		39	100	Button		1
57	Front axle		1	101	Self-tapping screws		2
58	The motor	Motor kit 596867	1	102	Self-tapping screws		13
59	Flat key	See item 58 kit 596867	1	103	Wire snap joint		2
60	Deck base	See item 58 kit 596867	1	104	Internal wires		1
61	Shim	See item 58 kit 596867	4	105	Wire casing		1
62	M6 Screw	See item 58 kit 596867	6	106	Crimping cap		1
63	The blade holder	See item 58 kit 596867	1	107	Square neck bolt	See item 111 kit 596857	2
64	Fan	See item 58 kit 596867	1	108	Knob gasket	See item 111 kit 596857	2
				109	Shim	See item 111 kit 596857	2

LM400 Part Guide



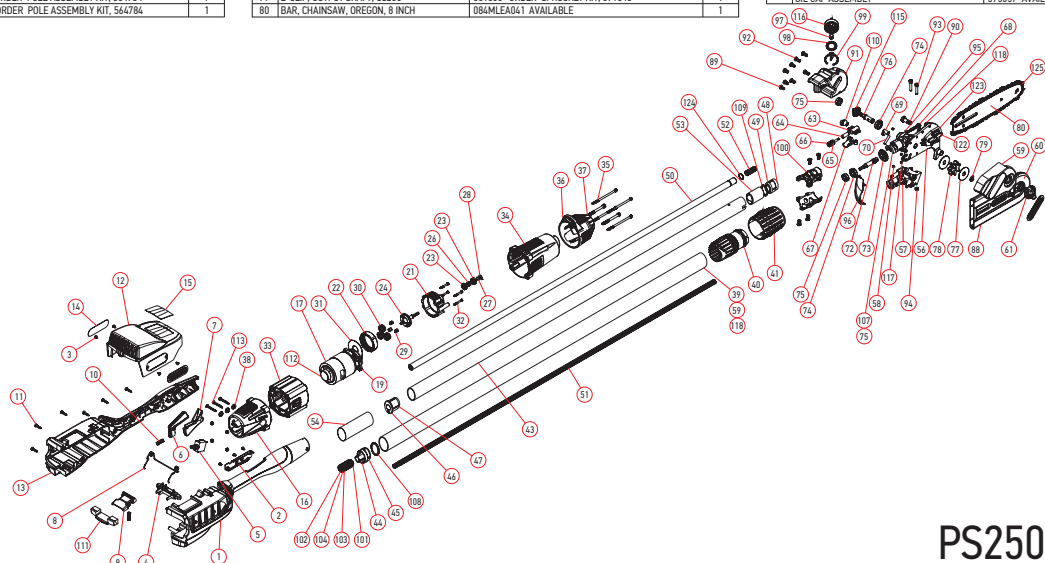
NQ.	Name	Kit Part Number	Quantity
1	Left body	Rear handle kit 596059	1
2	Left housing cover overmould	See item 1 in kit 596059	1
3	Right body	See item 1 in kit 596059	1
4	Right housing cover overmould	See item 1 in kit 596059	1
5	Battery pack		1
6	Rear cover		1
7	Line pressing board		1
8	Locating sleeve		1
9	Wire connector components		1
10	Battery pack card buckle	See item 1 in kit 596059	1
11	Battery pack torsional spring		1
12	Controller		1
13	Motor		1
14	Shaft sleeve		1
15	Locate		1
16	Push button		1
17	The cover plate of push button		1
18	Leaf spring		1
19	Screw		1
20	Switches		1
21	The trigger torsional spring		1
22	Protecting trigger		1
23	Main trigger		1
24	Straight tube		1
25	Nylon tube		1
26	Soft shaft		1
27	Grease		Bq
28	The brake clamp		1
29	The deputy handle	Handle kit 596061	1
30	Screw	See item 29 in kit 596061	1
31	Flat washer	Coupler kit 596057	1
32	Screw	See item 31 in kit 596057	1
33	Screw	See item 31 in kit 596057	2
34	Nut	See item 31 in kit 596057 Knob kit 596058	3
35	Package hoop knob	See item 31 in kit 596057 See item 34 in kit 596058	1
36	Shroud ring	See item 31 in kit 596057	1
37	Deputy handle knob	See item 29 in kit 596061	1
38	Screw	Misc. fastener kit 596060	2
39	Straps		1
40	Screw	See item 38 in kit 596060	11
41	Bolt		3
42	Bolt	See item 38 in kit 596060	2
43	Compression spring		2
44	Flat washer		1

PH600 Part Guide

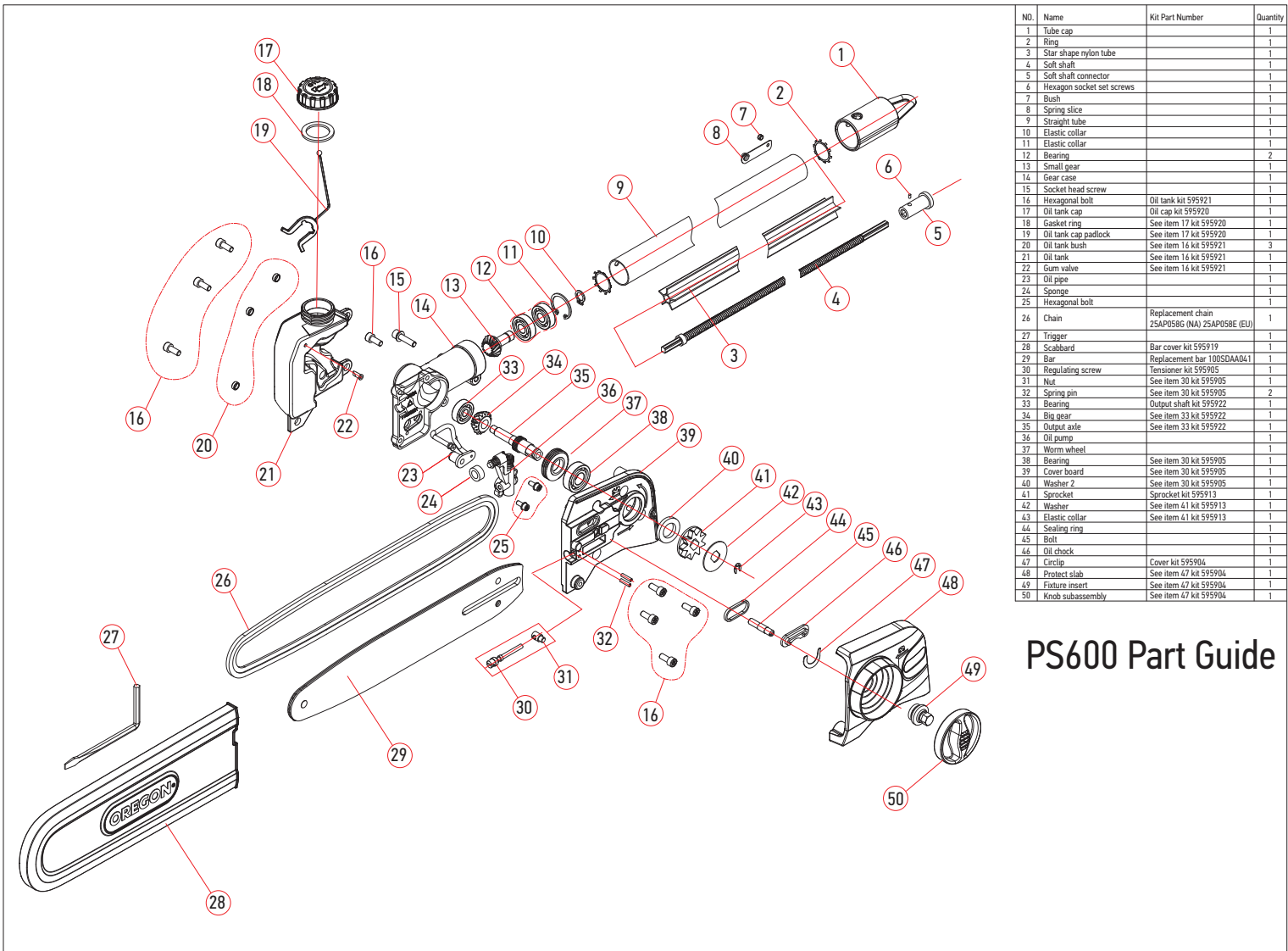
NO.	Name	Kit Part Number	Quantity
1	RIGHT CASE, ST250	560473 ORDER REAR HANDLE KIT, 564787 (570862 EU)	1
2	WIRE COVER, REAR HANDLE, ST250	560478 ORDER REAR HANDLE KIT, 564787 (570862 EU)	1
3	SCREW, FLAT HEAD CAP, M3 X 6MM	565495 ORDER FASTENER KIT 574414	7
4	TERMINAL BLOCK, HT, ST	560807 ORDER REAR HANDLE KIT, 564787 (570862 EU)	1
5	SWITCH, TRIGGER	560490 ORDER REAR HANDLE KIT, 564787 (570862 EU)	1
6	TRIGGER INTERLOCK, ST250	560477 ORDER REAR HANDLE KIT, 564787 (570862 EU)	1
7	TRIGGER, ST250	560476 ORDER REAR HANDLE KIT, 564787 (570862 EU)	1
8	BATTERY EJECT SPRING, CS250	569528 AVAILABLE	1
9	LATCH, BATTERY	559982 ORDER REAR HANDLE KIT, 564787 (570862 EU)	1
10	SPRING, BATTERY LATCH	559983 ORDER REAR HANDLE KIT, 564787 (570862 EU)	2
11	SCREW, K40 X 16, BH, TORX	565496 ORDER FASTENER KIT 574414	7
12	REAR HANDLE COVER, TOP	560482 ORDER REAR HANDLE KIT, 564787 (570862 EU)	1
13	LEFT CASE, ST250	560474 ORDER REAR HANDLE KIT, 564787 (570862 EU)	1
14	LABEL, BLACK OREGON 71.34MM X 23.3MM	N/A	3
15	LABEL, 40V MAX	N/A	1
16	MOTOR HOUSING, REAR, PS250	565460 ORDER REAR HANDLE KIT, 564787 (570862 EU)	1
17	MOTOR, PMDC 1000 SERIES	565407 ORDER REAR HANDLE KIT, 564787 (570862 EU)	1
18	PINION, MOTOR, YAT, PS250	565508 ORDER REAR HANDLE KIT, 564787 (570862 EU)	1
19	MOTOR ADAPTOR, 1000, SERIES, PS250	565441 ORDER REAR HANDLE KIT, 564787 (570862 EU)	1
20	SCREW, FLAT HEAD CAP, M5 X 20MM	565445 ORDER FASTENER KIT 574414	2
21	HOUSING, GEARBOX, PS250	565450 ORDER REAR HANDLE KIT, 564787 (570862 EU)	1
22	RING GEAR, GEARBOX, YAT, PS250	565506 ORDER REAR HANDLE KIT, 564787 (570862 EU)	1
23	BEARING, 698Z, BORE 8MM	565445 ORDER REAR HANDLE KIT, 564787 (570862 EU)	2
24	CARRIER, GEARBOX, PS250	565447 ORDER REAR HANDLE KIT, 564787 (570862 EU)	1
25	PIN, CARRIER, GEARBOX, PS250	565453 ORDER REAR HANDLE KIT, 564787 (570862 EU)	3
26	BEARING SPACER, GEARBOX, PS250	565439 ORDER REAR HANDLE KIT, 564787 (570862 EU)	1
27	SNAP RING, GEARBOX, PS250	565455 ORDER REAR HANDLE KIT, 564787 (570862 EU)	1
28	SNAP RING, GEARBOX, PS250	565446 ORDER REAR HANDLE KIT, 564787 (570862 EU)	1
29	NEEDLE BEARING, K 4 X 7 X 7 TN	565452 ORDER REAR HANDLE KIT, 564787 (570862 EU)	3
30	PLANET GEAR, GEARBOX, YAT, PS250	565507 ORDER REAR HANDLE KIT, 564787 (570862 EU)	3
31	GEAR PLATE, GEARBOX, PS250	565456 ORDER REAR HANDLE KIT, 564787 (570862 EU)	1
32	SCREW, SOCKET HEAD CAP, M3 X 29MM	565512 ORDER FASTENER KIT 574414	4
33	MOTOR HOUSING, MID, PS250	565459 ORDER REAR HANDLE KIT, 564787 (570862 EU)	1
34	MOTOR HOUSING, FRONT, PS250	565458 ORDER REAR HANDLE KIT, 564787 (570862 EU)	1
35	SCREW, SOCKET HEAD CAP, M4 X 80MM	565464 ORDER FASTENER KIT 574414	4
36	CAP HOUSING, MOTOR, PS250	565492 AVAILABLE	1
37	SCREW, SOCKET HEAD CAP, M5 X 55MM	565493 ORDER FASTENER KIT 574414	2
38	BUSHING, K40 SCREW	565503 ORDER REAR HANDLE KIT, 564787 (570862 EU)	3
39	POLE TELESCOPE, OUTER, PS250	565420 ORDER POLE ASSEMBLY KIT, 564784	1
40	TUBE COLLET, INNER, PS250	565427 ORDER POLE ASSEMBLY KIT, 564784	1

NO.	Name	Kit Part Number	Quantity
41	TUBE COLLET, OUTER, PS250	565428 ORDER POLE ASSEMBLY KIT, 564784	1
42	COVER, TUBE COLLET, PS250	565417 ORDER POLE ASSEMBLY KIT, 564784	1
43	POLE TELESCOPE, INNER, PS250	565421 ORDER POLE ASSEMBLY KIT, 564784	1
44	SHAFT BUSHING INSERT, LARGE, PS250	565432 ORDER POLE ASSEMBLY KIT, 564784	1
45	SHAFT BUSHING OVERMOLD, LARGE, PS250	565435 ORDER POLE ASSEMBLY KIT, 564784	1
46	SHAFT BUSHING INSERT, SUPPORT, PS250	565434 ORDER POLE ASSEMBLY KIT, 564784	1
47	SHAFT BUSHING OVERMOLD, SUPPORT, PS250	565437 ORDER POLE ASSEMBLY KIT, 564784	1
48	SHAFT BUSHING INSERT, SMALL, PS250	565433 ORDER POLE ASSEMBLY KIT, 564784	1
49	SHAFT BUSHING OVERMOLD, SMALL, PS250	565436 ORDER POLE ASSEMBLY KIT, 564784	1
50	TELESCOPING DRIVESHAFT, OUTSIDE, PS250	565441 ORDER POLE ASSEMBLY KIT, 564784	1
51	TELESCOPING DRIVESHAFT, INSIDE, PS250	565440 ORDER POLE ASSEMBLY KIT, 564784	1
52	COUPLING, SHAFT, OUTSIDE, PS250	565438 ORDER POLE ASSEMBLY KIT, 564784	1
53	DAMPER, VIBRATION, SHAFT, PS250	565511 ORDER POLE ASSEMBLY KIT, 564784	1
54	STOP SLERVE, POLE END, PS250	565519 ORDER POLE ASSEMBLY KIT, 564784	1
55	PIN, TUBE COLLET, PS250	565521 ORDER POLE ASSEMBLY KIT, 564784	1
56	BAR PAD, PS250	565414 AVAILABLE	1
57	HOUSING, RIGHT ANGLE, BOTTOM, PS250	565412 ORDER CUTTING HEAD KIT, 564786	1
58	STOPPER, BEARING, PS250	565494 ORDER CUTTING HEAD KIT, 564786	4
59	SIDE COVER, PS250	565411 ORDER SIDE COVER KIT, 564782	1
60	CLAMP KNOB BUSHING, CS250	565427 ORDER SIDE COVER KIT, 564782	1
61	CLAMP KNOB, PS250	565422 ORDER SIDE COVER KIT, 564782	1
62	RING CLIP, CS250	551322 ORDER CUTTING HEAD KIT, 564786	1
63	OIL PUMP BODY, PS250	565486 ORDER PUMP ASSY KIT 565419	1
64	OIL PUMP SHAFT SLEEVE, CS250	565522 ORDER PUMP ASSY KIT 565419	1
65	CAM SHAFT, OIL PUMP, RED	565489 ORDER PUMP ASSY KIT 565419	1
66	GEAR, OIL PUMP, 9.5MM	565487 ORDER PUMP ASSY KIT 565419	1
67	OIL PUMP HOOD, PS250	565488 ORDER PUMP ASSY KIT 565419	1
68	SCREW, TENSIONER, PS250	565470 ORDER TENSIONER KIT 564518	1
69	ELBOW, OIL OUTPUT, PS250	565471 ORDER CUTTING HEAD KIT, 564786	2
70	TUBE, OIL, PS250	565416 ORDER CUTTING HEAD KIT, 564786	1
71	PIN, TENSIONER, PS250	565469 ORDER TENSIONER KIT 564788	1
72	INPUT SHAFT, MITER, PS250	565467 ORDER CUTTING HEAD KIT, 564786	1
73	GEAR, MITER, 19 TOOTH, PS250	565460 ORDER CUTTING HEAD KIT, 564786	1
74	BEARING, 6900Z, 10MM BORE	565463 ORDER CUTTING HEAD KIT, 564786	2
75	BEARING, 698Z, BORE 8MM	565464 ORDER CUTTING HEAD KIT, 564786	2
76	OUTPUT SHAFT, MITER, PS250	565466 ORDER CUTTING HEAD KIT, 564786	1
77	WASHER, SPROCKET, PS250	565415 ORDER SPROCKET KIT, 571043	2
78	S PROCKET, 7 TOOTH, 3/8 PITCH	565479 ORDER SPROCKET KIT, 571043	1
79	E-CLIP, OUTPUT SHAFT, CS250	551303 ORDER SPROCKET KIT, 571043	1
80	BAR, CHAINSAW, OREGON, 8 INCH	084MLEAD41 AVAILABLE	1

NO.	Name	Kit Part Number	Quantity
88	BLADE COVER, 8 INCH	084MLEAD41 ORDER BLADE COVER KIT 564845	1
89	SCREW, PAN HEAD TORX, M5 X 10	565463 ORDER TANK KIT 564785	5
90	BAR, STUD	569523 AVAILABLE	1
91	OIL, TANK, PS250	565472 ORDER TANK KIT 564785	1
92	SCREW, BUTTON HEAD TORX, M5 X 12	565497 ORDER TANK KIT 564785	7
93	SCREW, SOCKET HEAD, M5 X 20MM	565522 ORDER FASTENER KIT 574414	2
94	LOCK NUT, NYLON INSERT, M5	565499 ORDER FASTENER KIT 574414	2
95	RETAINER, TENSIONER, PS250	564909 ORDER TENSIONER KIT 564788	1
96	CHIP DEFLECTOR, PS250	565468 ORDER CHIP FLAP KIT, 564783	1
97	OIL CAP, DUCK BILL VALVE	565515 ORDER TANK KIT 564785	1
98	OIL CAP, SEAL	565516 ORDER TANK KIT 564785	1
99	OIL CAP, TEATHER	565514 ORDER TANK KIT 564785	1
100	POLE CLAMP, HEAD, PS250	565418 ORDER CUTTING HEAD KIT, 564784	2
101	COUPLING, SHAFT, INSIDE, PS250	564905 ORDER POLE ASSEMBLY KIT, 564784	1
102	COUPLING, SHAFT, INSIDE, PS250	564906 ORDER POLE ASSEMBLY KIT, 564784	1
103	SNAP RING, WRAP CLUTCH, PS250	564904 ORDER POLE ASSEMBLY KIT, 564784	1
104	SPRING, WRAP CLUTCH, YAT, P 5250	564903 ORDER POLE ASSEMBLY KIT, 564784	1
105	LOCK NUT, NYLON INSERT, M4	565462 ORDER FASTENER KIT 574414	4
106	RETAINER, COVER, TUBE COLLET, PS250	565491 ORDER POLE ASSEMBLY KIT, 564784	1
107	RIGHT ANGLE HOUSING, TOP, PS250	565413 ORDER POLE ASSEMBLY KIT, 564784	1
108	HANDLE BUSHING LOCK	567261 ORDER POLE ASSEMBLY KIT, 564784	2
109	HEAD BUSHING LOCK	567260 ORDER POLE ASSEMBLY KIT, 564784	2
110	TUBE, INPUT, OIL, PS250	565498 ORDER CUTTING HEAD KIT, 564786	1
111	BUMPER, BATTERY RELEASE, 25mm, PS250	565510 ORDER REAR HANDLE KIT, 564787 (570862 EU)	1
112	CAP, MOTOR SHAFT, PS250	570874 ORDER REAR HANDLE KIT, 564787 (570862 EU)	1
113	SCREW, K40 X 30, BH, T20 TORX	565523 ORDER FASTENER KIT 574414	3
114	RETAINING CLIP, WRAP CLUTCH, PS250	567270 ORDER POLE ASSEMBLY KIT, 564784	1
115	GEAR, BEVEL, 15 TOOTH, PS250	565481 ORDER CUTTING HEAD KIT, 564786	1
116	CAP, OIL, PS250	570819 ORDER KIT 564785	2
117	WASHER, 5.2MM X 13M X 1.5MM THICK, PS250	567318 ORDER CUTTING HEAD KIT, 564786	2
118	WASHER, M5 X 12MM OD X 1.2MM THICK	567274 ORDER POLE ASSEMBLY KIT, 564784	3
119	SLEEVE, VIBRATION DAMPENER, PS250	570795 ORDER POLE ASSEMBLY KIT, 564784	1
120	OIL FILTER CASE, PS250	571024 ORDER CUTTING HEAD KIT, 564786	1
121	FOAM, OIL FILTER, CS250	558725 ORDER CUTTING HEAD KIT, 564786	1
122	SEAL, SIDE COVER, PS250	565410 ORDER SIDE COVER KIT, 564782	1
123	SEAL, BAR PAD, PS250	565408 ORDER CUTTING HEAD KIT, 564786	1
124	RING, RETAINING, SHAFT, PS250	571588 ORDER POLE ASSEMBLY KIT, 564784	1
125	CHAIN, PS250	90P0346 for NA, 90P0346 for EU	1
	OIL CAP ASSEMBLY	573457 AVAILABLE	1

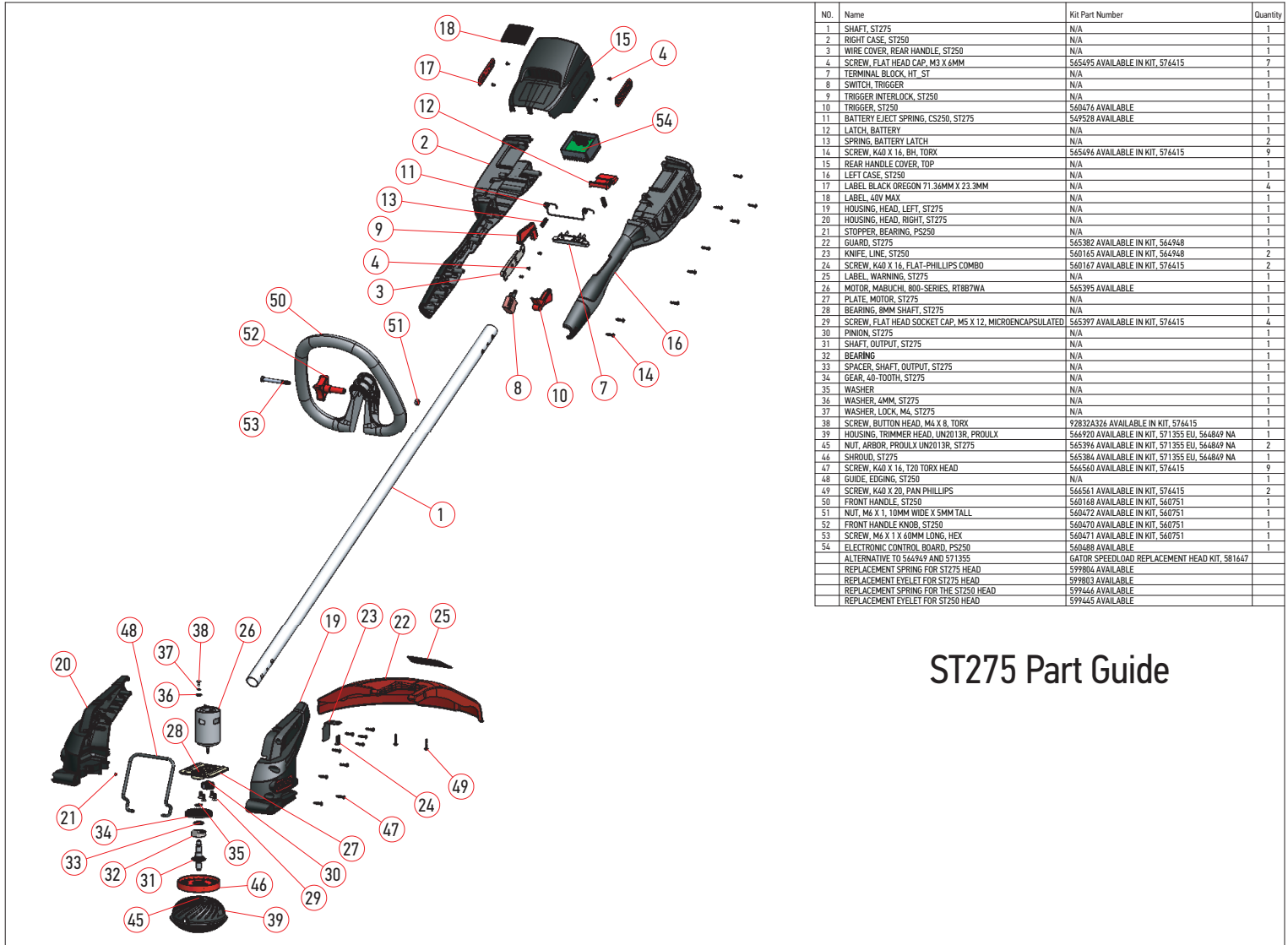


PS250 Part Guide



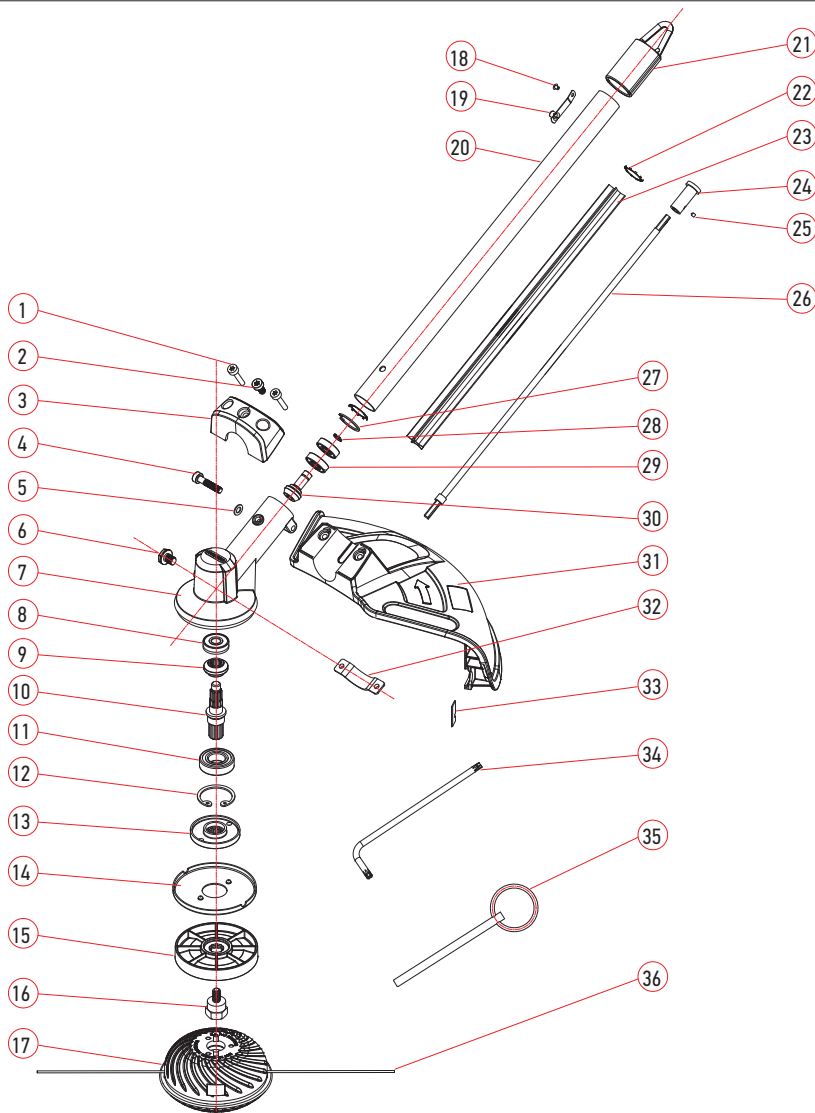
NO.	Name	Kit Part Number	Quantity
1	Tube cap		1
2	Ring		1
3	Star shape nylon tube		1
4	Soft shaft		1
5	Soft shaft connector		1
6	Hexagon socket set screws		1
7	Blush		1
8	Spring slice		1
9	Straight tube		1
10	Elastic collar		1
11	Elastic collar		1
12	Bearing		2
13	Small gear		1
14	Gear case		1
15	Socket head screw		1
16	Hexagonal bolt	Oil tank kit 595921	1
17	Oil tank cap	Oil cap kit 595920	1
18	Gasket ring	See item 17 kit 595920	1
19	Oil tank cap padlock	See item 17 kit 595920	1
20	Oil tank bush	See item 16 kit 595921	3
21	Oil tank	See item 16 kit 595921	1
22	Gum valve	See item 16 kit 595921	1
23	Oil pipe		1
24	Sponge		1
25	Hexagonal bolt		1
26	Chain	Replacement chain 25AP058G (NA) 25AP058E (EU)	1
27	Trigger		1
28	Scabbard	Bar cover kit 595919	1
29	Bar	Replacement bar 100SDAAB41	1
30	Regulating screw	Tensioner kit 595905	1
31	Nut	See item 30 kit 595905	1
32	Spring pin	See item 30 kit 595905	2
33	Bearing	Output shaft kit 595922	1
34	Big gear	See item 33 kit 595922	1
35	Output axle	See item 33 kit 595922	1
36	Oil pump		1
37	Worm wheel		1
38	Bearing	See item 30 kit 595905	1
39	Cover board	See item 30 kit 595905	1
40	Washer 2	See item 30 kit 595905	1
41	Sprocket	See item 41 kit 595913	1
42	Washer	See item 41 kit 595913	1
43	Elastic collar	See item 41 kit 595913	1
44	Sealing ring		1
45	Bolt		1
46	Oil chock		1
47	Clutch	Cover kit 595904	1
48	Protect slab	See item 47 kit 595904	1
49	Fixture insert	See item 47 kit 595904	1
50	Knob subassembly	See item 47 kit 595904	1

PS600 Part Guide



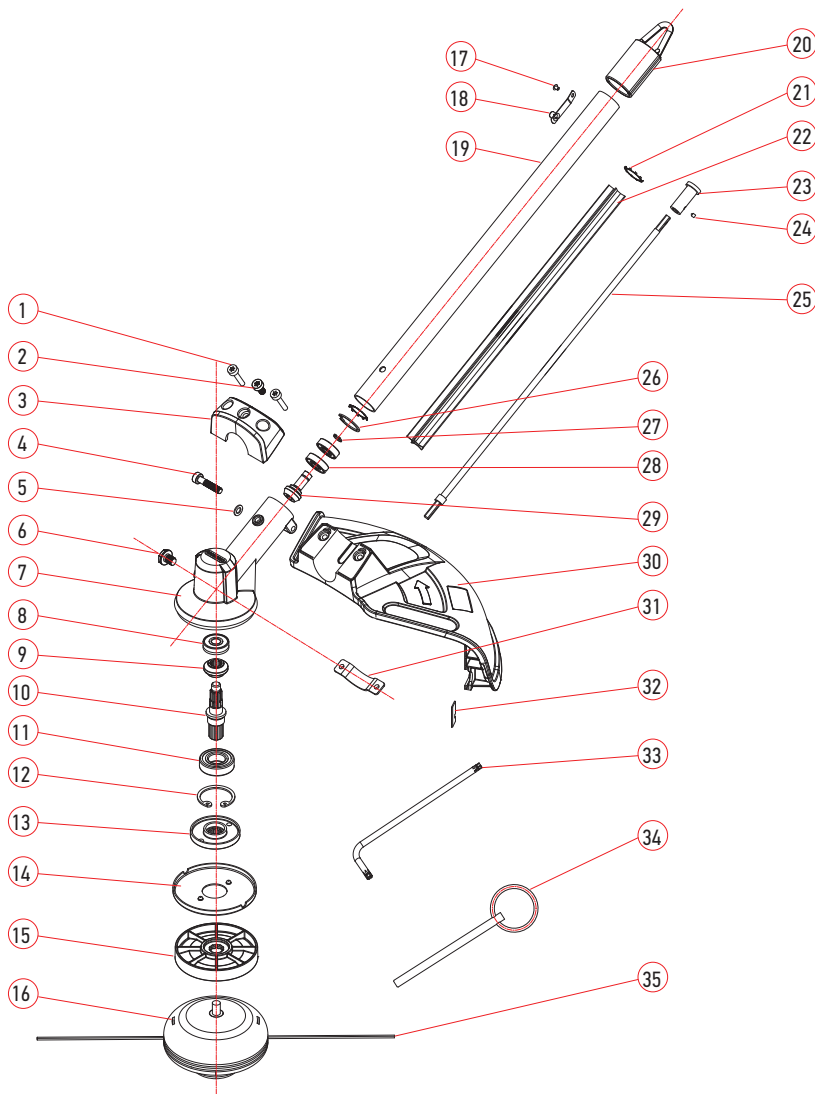
NO.	Name	Kit Part Number	Quantity
1	SHAFT, ST275	N/A	1
2	RIGHT CASE, ST250	N/A	1
3	WIRE COVER, REAR HANDLE, ST250	N/A	1
4	SCREW, FLAT HEAD CAP, M3 X 6MM	565495 AVAILABLE IN KIT, 576415	7
7	TERMINAL BLOCK, HT, ST	N/A	1
8	SWITCH, TRIGGER	N/A	1
9	TRIGGER INTERLOCK, ST250	N/A	1
10	TRIGGER, ST250	540476 AVAILABLE	1
11	BATTERY EJECT SPRING, CS250, ST275	549528 AVAILABLE	1
12	LATCH, BATTERY	N/A	1
13	SPRING, BATTERY LATCH	N/A	2
14	SCREW, K40 X 16, D41, TORX	565496 AVAILABLE IN KIT, 576415	9
15	REAR HANDLE COVER, TOP	N/A	1
16	LEFT CASE, ST250	N/A	1
17	LABEL, BLACK OREGON 71.34MM X 23.3MM	N/A	4
18	LABEL, 40V MAX	N/A	1
19	HOUSING, HEAD, LEFT, ST275	N/A	1
20	HOUSING, HEAD, RIGHT, ST275	N/A	1
21	STOPPER, BEARING, PS250	N/A	1
22	GUARD, ST275	565382 AVAILABLE IN KIT, 564948	1
23	KNIFE, LINE, ST250	560165 AVAILABLE IN KIT, 564948	2
24	SCREW, K40 X 16, FLAT-PHILLIPS COMBO	560167 AVAILABLE IN KIT, 576415	2
25	LABEL, WARNING, ST275	N/A	1
26	MOTOR, MABUCHI, 800-SERIES, RT08B7WA	565395 AVAILABLE	1
27	PLATE, MOTOR, ST275	N/A	1
28	BEARING, 8MM SHAFT, ST275	N/A	1
29	SCREW, FLAT HEAD SOCKET CAP, M5 X 12, MICROENCAPSULATED	565397 AVAILABLE IN KIT, 576415	4
30	PINION, ST275	N/A	1
31	SHAFT, OUTPUT, ST275	N/A	1
32	BEARING	N/A	1
33	SPACER, SHAFT, OUTPUT, ST275	N/A	1
34	GEAR, 40-TOOTH, ST275	N/A	1
35	WASHER	N/A	1
36	WASHER, 4MM, ST275	N/A	1
37	WASHER, LOCK, M6, ST275	N/A	1
38	SCREW, BUTTON HEAD, M4 X 8, TORX	528324326 AVAILABLE IN KIT, 576415	1
39	HOUSING, TRIMMER HEAD, UN2013R, PROULX	564920 AVAILABLE IN KIT, 571355 EU, 564849 NA	1
45	NUT, ARBOR, PROULX UN2013R, ST275	565396 AVAILABLE IN KIT, 571355 EU, 564849 NA	2
46	SHROUD, ST275	565384 AVAILABLE IN KIT, 571355 EU, 564849 NA	1
47	SCREW, K40 X 16, T20 TORX HEAD	566560 AVAILABLE IN KIT, 576415	9
48	GUIDE, EDGING, ST250	N/A	1
49	SCREW, K40 X 20, PAN PHILLIPS	565561 AVAILABLE IN KIT, 576415	2
50	FRONT HANDLE, ST250	560168 AVAILABLE IN KIT, 560751	1
51	NUT, M6 X 1, 10MM WIDE X 5MM TALL	560472 AVAILABLE IN KIT, 560751	1
52	FRONT HANDLE KNOB, ST250	560470 AVAILABLE IN KIT, 560751	1
53	SCREW, M6 X 1 X 60MM LONG, HEX	560471 AVAILABLE IN KIT, 560751	1
54	ELECTRONIC CONTROL BOARD, PS250	560488 AVAILABLE	1
	ALTERNATIVE TO 564949 AND 571355	GATOR SPEEDLOAD REPLACEMENT HEAD KIT, 581647	
	REPLACEMENT SPRING FOR ST275 HEAD	599804 AVAILABLE	
	REPLACEMENT EYELET FOR ST275 HEAD	599803 AVAILABLE	
	REPLACEMENT SPRING FOR THE ST250 HEAD	599446 AVAILABLE	
	REPLACEMENT EYELET FOR ST250 HEAD	599445 AVAILABLE	

ST275 Part Guide



NO.	Name	Kit Part Number	Quantity
1	Screw	Misc. fastener kit 595898 Guard kit 595860	2
2	Screw	See item 1 kit 595898 See item 1 kit 595860	1
3	Shroud cover	See item 1 kit 595860	1
4	Screw	Gearbox kit 595896	1
5	Washer	See item 4 kit 595896	1
6	Bolt	See item 4 kit 595896	1
7	Gear box		1
8	Bearing		1
9	Gears		1
10	GT shaft		1
11	Bearing		1
12	Check ring for hole		1
13	GT ring flange		1
14	Positioning plate		1
15	Insulate cover		1
16	Trimmer bolt		1
17	Trimmer head	EU trimmer head 595901	1
18	Rivet	Shaft kit 595895	1
19	Clamp spring washer	See item 18 kit 595895	1
20	GT tube	See item 18 kit 595895	1
21	Tube cap	See item 18 kit 595895	1
22	Clip	See item 18 kit 595895	2
23	Star-shaped nylon sleeve	See item 18 kit 595895	1
24	Soft shaft connector	See item 18 kit 595895	1
25	Cock screw	See item 18 kit 595895	1
26	GT soft shaft	See item 18 kit 595895	1
27	Check ring for hole		1
28	Check ring for shaft		1
29	Bearing		2
30	Gears		1
31	GT safety guard-NA	See item 1 kit 595860	1
32	Pressing plate	See item 1 kit 595860	1
33	Blade	See item 1 kit 595860	1
34	Spanner		1
35	Bolt		1
36	Replacement line	Replacement line 539162	1

ST600 EU Part Guide



NO.	Name	Kit Part Number	Quantity
1	Screw	Misc. Fastener kit 595898 Guard kit 595860	2
2	Screw	See item 1 kit 595898 See item 1 kit 595860	1
3	Shroud cover	See item 1 kit 595860	1
4	Screw	Gearbox kit 595896	1
5	Washer	See item 4 kit 595896	1
6	Bolt	See item 4 kit 595896	1
7	Gear box		1
8	Bearing		1
9	Gears		1
10	GT shaft		1
11	Bearing		1
12	Check ring for hole		1
13	GT ring flange		1
14	Positioning plate		1
15	Insulate cover		1
16	Trimmer head	NA trimmer head 595897	1
17	Rivet	Shaft kit 595895	1
18	Clamp spring washer	See item 17 kit 595895	1
19	GT tube	See item 17 kit 595895	1
20	Tube cap	See item 17 kit 595895	1
21	Clip	See item 17 kit 595895	2
22	Star-shaped nylon sleeve	See item 17 kit 595895	1
23	Soft shaft connector	See item 17 kit 595895	1
24	Cock screw	See item 17 kit 595895	1
25	GT soft shaft	See item 17 kit 595895	1
26	Check ring for hole		1
27	Check ring for shaft		1
28	Bearing		2
29	Gears		1
30	GT safety guard-NA	See item 1 kit 595860	1
31	Pressing plate	See item 1 kit 595860	1
32	Blade	See item 1 kit 595860	1
33	Spanner		1
34	Bolt		1
35	Replacement line	Replacement line 24-280-03	1

ST600 NA Part Guide

OREGON®

BLOUNT
INTERNATIONAL

BLOUNT EUROPE
Rue Emile Francqui, 5
1435 Belgique
Belgium